

## CLASSIC PLUS 2 groups, Tall cup



### Ref602978 (UCLASSIC2HPUL)

Traditional Espresso Machine

- 2 Groups
- Long Teflon Steam - Long Hot Water - Long teflon Steam
- Inox
- 220 V 1N 60~Hz 4,3kW
- UL/NSF Certified

### General Features

High profile two group espresso maker with large steam boiler for direct preparation into large to-go cups (cup clearance up to 7"). Elegant lines and reliable technologies appreciated by coffee professionals, the CLASSIC model is made more attractive by its quality/ price ratio. Designed for rugged commercial application, the CLASSIC is the perfect traditional espresso machine to ensure an excellent quality espresso result, consistency and high performance during rush period. Steamglide lever on the left side for high precision manual steam wand control.

## CLASSIC PLUS 2 groups, Tall cup

### Main Features

- Maestro brew group: directly to boiler group heads are mounted for shot temperature stability.
- Large cup warming capacity: integrated cup warmer on the top of the machines.
- 4 programmable volume keys per group + Semi-automatic key for each group for manual control.
- Automatic cleaning program.
- Heavy duty components and welded construction, a direct mounted boiler group head for thermal stability and reliable extraction, easy access to components for uncomplicated servcability, and unlimited steam.
- The tall cup configuration allows the barista to easily prepare large size drinks according to the larger cup clearance available.
- Programmable steam and hot water.
- Manual Steamglide lever.

### Construction

- Built-in cup warmer.

# CLASSIC PLUS 2 groups, Tall cup

## Electric

Supply voltage:

602978  
(UCLASSIC2HPUL) 220 V/1 ph/60 Hz

Electrical power, max: 4.3 kW

Plug type:

## Water:

Cold water temperature  
(min/max): 5 / 60 °C

## Key Information:

External dimensions,

Width: 25 1/4" (642 mm)

External dimensions,

Depth: 22 7/16" (568 mm)

External dimensions,

Height: 25 9/16" (650 mm)

External dimensions,

Weight: 121 lbs (65 kg)

Net weight:

121 lbs (65 kg)

Shipping width:

(1100 mm)

Shipping depth:

(750 mm)

Shipping height:

(840 mm)

Shipping weight:

lbs (82 kg)

Shipping volume:

0.7 m<sup>3</sup>

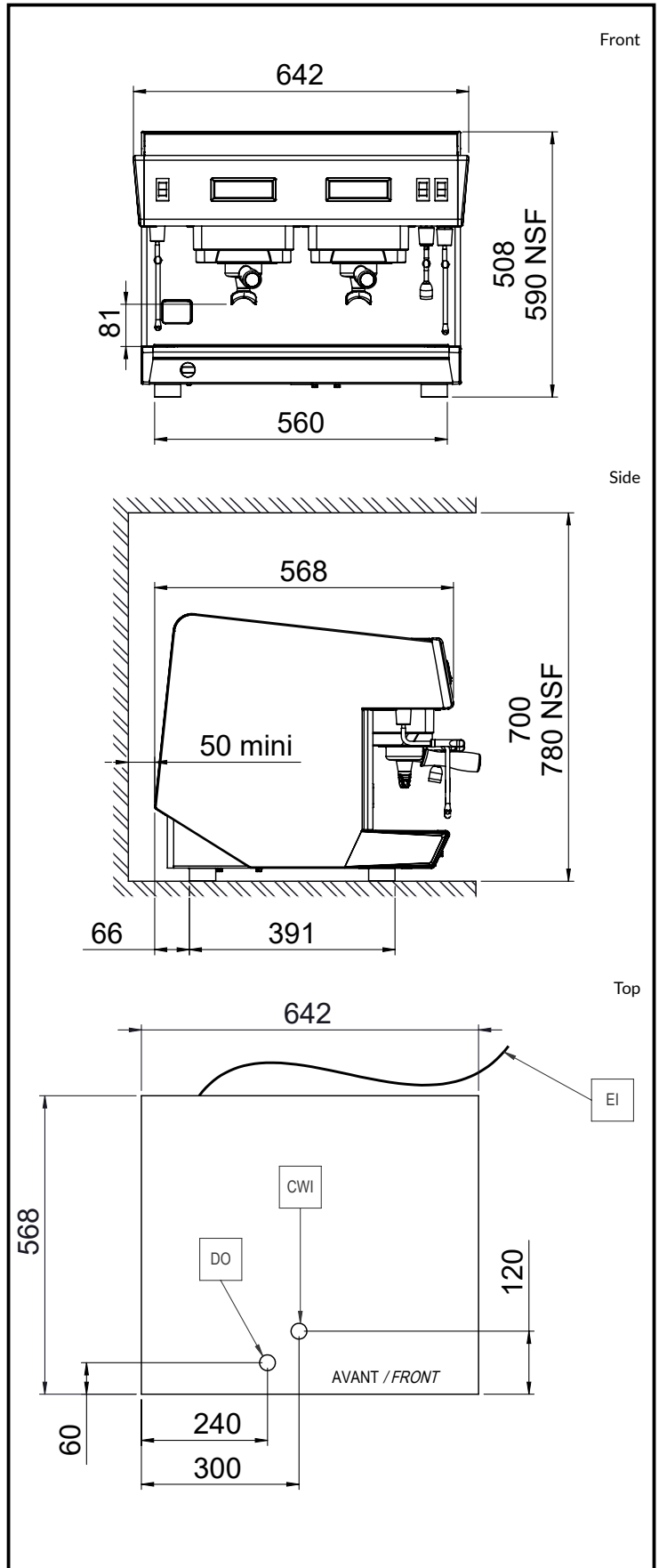
## Certifications



The company reserves the right to make modifications to the products without prior notice. All information correct at time of printing.

2024.11.06

Part of  Electrolux  
Professional  
Group



# UNIC